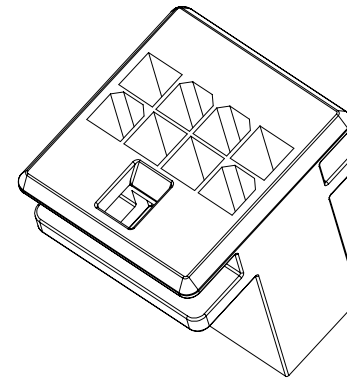
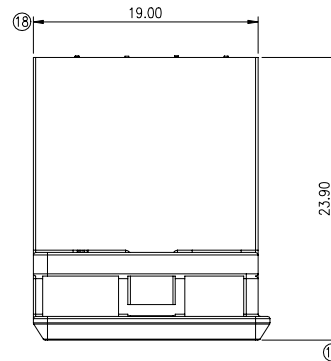
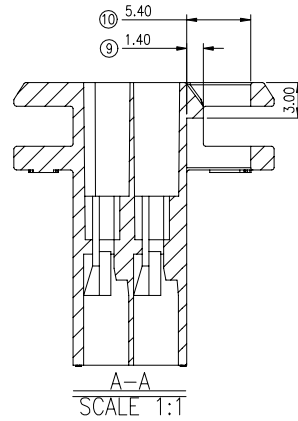
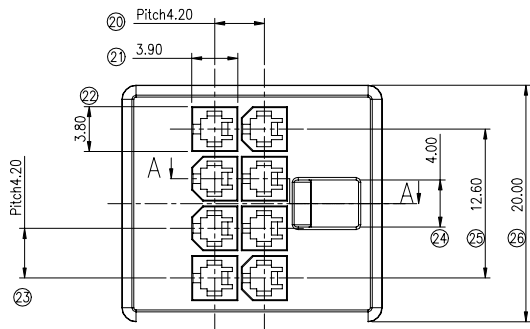
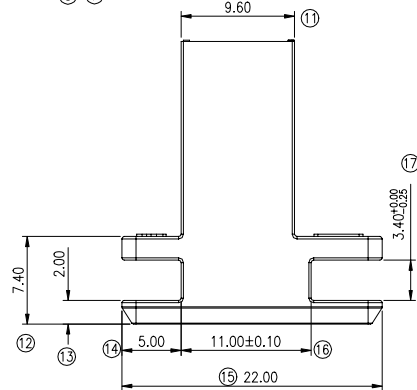
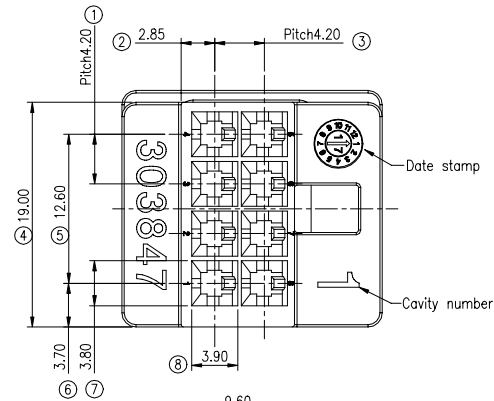


RoHS

This products can apply to the SESO Doc NO. QA-3-04-005 of Environmental&Material Management Rules



① 9357 ② H ③ F - ④ 2*04 ⑤ L - ⑥ NO ⑦ BK

- ① Series No.:9357
- ② Category:H-HSG
- ③ Welding Board Angle:F-Female
- ④ Row No.-Pin No.: 2*04-2*04P
- ⑤ Plug the Pin & special No.: L-Splint
- ⑥ Material:N0-PA66 94V-0; N2-PA66 94V-2
- ⑦ Color : Blank-Natural Color
BK-Black

| | | | | | | | | | | | | | |
|--------------------|--|--|--|--|-------------------|--|--|--|-------------------------|--|--|--|--|
| | | | | | GENERAL TOLERANCE | | | | PART NO. | | | | |
| | | | | | .X ±0.30 | | | | 9357HF-2*04L-NOBK | | | | |
| | | | | | .XX ±0.20 | | | | TITLE | | | | |
| | | | | | .XXX±0.10 | | | | MX 4.20mm 2*4PIN 母端 HSG | | | | |
| 2020/04/15 | | | | | APPROVAL | | | | UNIT | | | | |
| B | | | | | CHECK | | | | SCALE | | | | |
| ER20200415001 | | | | | DRAWN | | | | SHEET | | | | |
| Update the drawing | | | | | DATE | | | | REV | | | | |
| Zeng | | | | | 2017/09/06 | | | | NUMBER | | | | |
| LARRY YANG | | | | | Jack Zhang | | | | mm | | | | |
| PROJECT | | | | | LARRY YANG | | | | 1:1 | | | | |
| PROJECT | | | | | WANG | | | | 1/1 | | | | |
| PROJECT | | | | | 2017/09/06 | | | | B | | | | |
| PROJECT | | | | | 2017/09/06 | | | | CD | | | | |

SMS 东莞市思索技术股份有限公司
Dongguan SESO Technology Co.,Ltd.